



EnerRocket™
CONTINUOUSLY SAFEGUARDING

ES 75-12

SMF VRLA RECHARGEABLE BATTERY

**LONG
LIFE
SERIES**

APPLICATIONS

- UPS Systems
- Telecommunication Systems
- Fire Alarm Safety & Security Systems
- Medical Equipment

COMPLIANCE STANDARDS

- IEC 60896 PART 21 & 22
- BS6290-4

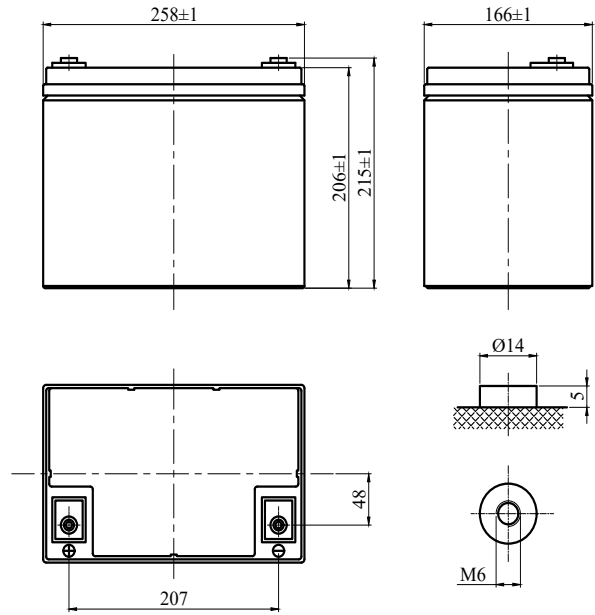
TECHNICAL FEATURES



- Non-Spillable Sealed Construction
- Seal Lead Acid Battery
- Absorbent Glass Mat System (AGM System)
- ABS (Acrylonitrile Butadiene Styrene) construction (FR optional)
- Gas Recombination
- Venting System for low internal pressure
- Low Self-Discharge
- Heavy-Duty, Highly Optimized Grids
- High Power Output
- Wide Operating Temperature
- Maintenance-Free Operation

CHARACTERISTICS

Nominal Voltage	12 V	
Design Life	10 Years	
Capacity 25°C (77°F)	20 Hour rate	80Ah
	10 Hour rate	75Ah
	5 Hour rate	67.5Ah
Internal Resistance (25°C, 100% Charge)	< 6.6 mΩ	
Self Discharge (20°C)	1 Month	Remaining Capacity 97%
Operating Temperature	Discharge	-20°C - 60°C
	Charge	-10°C - 60°C
	Storage	-20°C - 60°C
Normal Operating Temperature	25°C ± 3°C	
Maximum Discharge current	700A (5sec)	
Maximum Charging current	22.5A	
Short Circuit Current	1800A	
Charge Methods Constant Voltage Charge 77°F (25°C) - Cycle use	14.4 to 14.7V	
	Temp. Compensation -30mV/°C	
Charge methods Constant Voltage Charge 77°F (25°C) - Standby Use	13.4 to 13.8V	
	Temp. Compensation -20mV/°C	



SPECIFICATIONS

Length	Width	Height	Total Height	Weight (kg)
258 mm	166 mm	206 mm	215 mm	22.5 ± 5%

CONSTANT CURRENT DISCHARGE (Amperes) AT 25°C

End Voltage Volts/Cell	5min	10min	15min	30min	1h	3h	5h	10h	24h
1.60	240	178	137	81.8	50.20	21.8	14.3	7.67	3.52
1.65	222	169	131	78.3	47.50	21.4	14.1	7.65	3.50
1.70	206	158	122	77.0	46.90	21.0	13.9	7.6	3.48
1.75	195	151	117	73.6	45.30	20.6	13.5	7.55	3.46
1.80	180	139	112	73.1	98.60	19.8	13.3	7.5	3.43

CONSTANT POWER DISCHARGE (Watts) AT 25°C

End Voltage Volts/Cell	5min	10min	15min	30min	1h	3h	5h	10h	24h
1.60	413	314	246	158.0	95.7	40.2	26.8	15.1	6.90
1.65	403	300	241	153	93.6	39.2	26.6	14.7	6.74
1.70	375	290	237	145	89.8	38.9	26.0	14.4	6.61
1.75	356	274	223	142	86.5	38.3	26.0	14.2	6.48
1.80	341	261	212	141	84.2	38.0	25.8	13.8	6.30



ES 75-12

SMF VRLA RECHARGEABLE BATTERY

**LONG
LIFE
SERIES**

